

LAS8005 si Drop Seal

Medium Duty



■ Description

This fully mortised aluminium automatic drop seal features a silicone rubber gasket and internal fins. It is used to close the gap under single swing doors to maintain their acoustic, smoke and energy efficiency performance. The seal incorporates a high efficiency spring loaded mechanism that extends the seal as the door swings shut and automatically retracts it as the door is opened by just a few centimetres.

■ Key benefits

Fully concealed and mechanically fixed to the bottom of the door through the flanges.

Dual internal sealing fins enhance acoustic and smoke containment performance.

Supplied with high performance fire rated silicone rubber gasket and aesthetic colour matched end caps.

Fully automatic, no power connection required.

Simple adjustment to suit varying door gap requirements.

Proven long term reliability.

■ Approvals

Fire: Approved for use on proprietary AS1905.1 fire doors for up to 4 hour fire rating.

Smoke: Medium temperature smoke approvals for use on AS6905 compliant smoke door assemblies. Conforms with BCA Specification C3.4 smoke sealing requirements.

Sound: Acoustically tested in accordance with ISO10140-2 and AS/NZS717.1 with ratings up to 40Rw on appropriate rated assemblies.

Durability: Long term mechanical test, completing 1,000,000 cycles without failure.

■ Standard lengths

820mm (may be trimmed back to 580mm)

920mm (may be trimmed back to 820mm)

1070mm (may be trimmed back to 920mm).

■ Fixing method

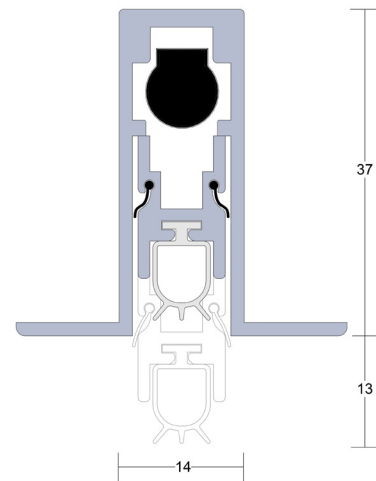
Fits into a 15mm wide x 35mm deep groove and retained in place by screw fixing through the seal flanges.

■ Gap sizes

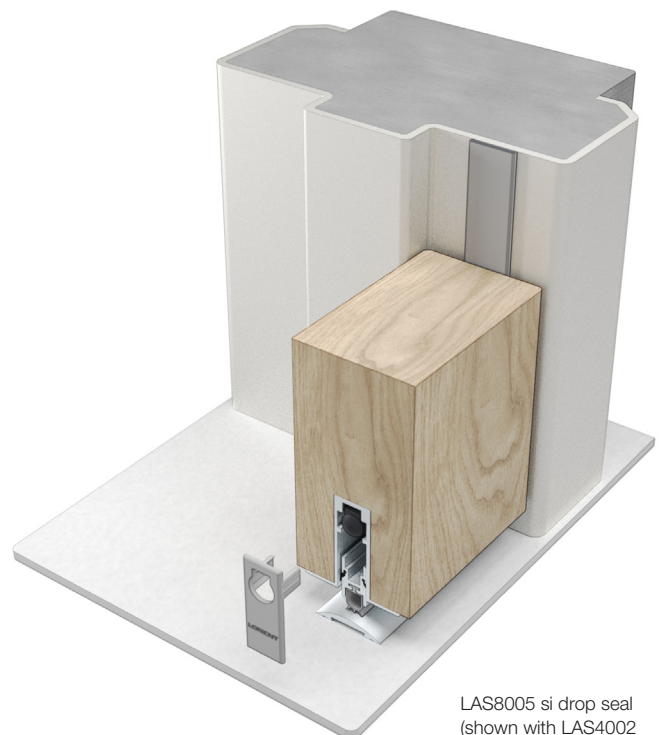
Accommodates and seals gaps up to 13mm. Greater gaps can be sealed if product is used with a threshold plate.

■ Finishes

Silver anodised aluminium with stainless steel end plates and grey silicone rubber gasket.



LAS8005 si



LAS8005 si drop seal (shown with LAS4002 threshold plate)